

# AUTO. LABEL/TAMPER EVIDENT SLEEVING MACHINE

**BENISON**

ISO  
9001  
22000  
CERTIFIED

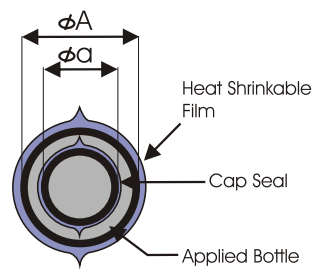
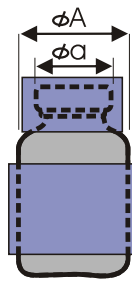


**ES-200(CE)  
HEAT TUNNEL**

**LF-100(CE)  
AUTO. LABEL/ TAMPER-EVIDENT  
SLEEVING MACHINE**



PACKAGING TYPES



**LF SERIES SPECIFICATION**

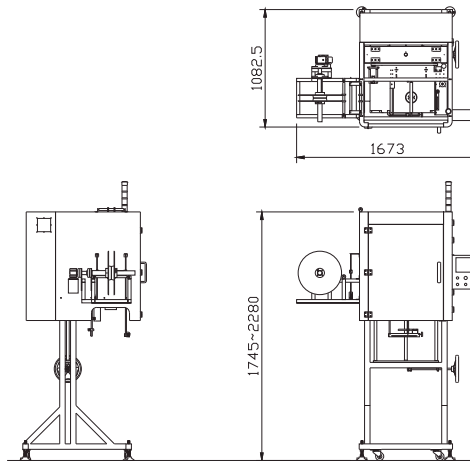
Model No.	Unit	LF-100(CE)
Power		3 $\phi$ 220V , 50/60Hz
Motor	(W)	60Wx1,90Wx1,400Wx1,750Wx1
Applicable Label Lay Flat Width	(m/m)	40~160
Applicable Label Cut Length	(m/m)	30~200
Applicable Label Thickness	(m/m)	0.035~0.07
Applicable Material		OPS,PET,PVC,PLA
Max. Speed	Max. BPM.	200 BPM (100 m/m CL, Speed will be different basing on CL)
Formula of Label Size	(m/m)	LFW:(BottleDiameter+Tolerance)*1.57
Applicable Products Shape		Round, Square, Oval & Others
Machine Dimension	LxWxH (m/m)	1673x1083x1745~2280
<ul style="list-style-type: none"> <li>Our packaging specialists will provide you the most efficient and energy-saving packaging system for your products.</li> <li>All specifications, design and characteristics shown on this catalogue are subject to change without prior notice.</li> </ul>		

※ ALL MACHINES ARE LIABILITY INSURED.

201701

□ THE M/C CAN BE MADE FOR ANY POWER REQUIREMENT BASING ON ORDER.

**MACHINE DIAGRAM**



**BENISON & CO., LTD.**



TAIWAN HEAD OFFICE	:TEL:886-2-2772 5566	FAX:886-2-2772 2382	E-mail:benison@benison.com.tw
TAOYUAN PLANT # 1	:TEL:886-3-322 5531	FAX:886-3-322 8090	E-mail:benison@benison.com.tw
TAOYUAN PLANT # 2	:TEL:886-3-354 7645	FAX:886-3-354 7649	E-mail:benison@benison.com.tw
KAO-HSIUNG PLANT	:TEL:886-7-787 3033	FAX:886-7-787 3042	E-mail:benison@benison.com.tw
PHILIPPINES PLANT	:TEL:63-46-972 2068	FAX:63-46-972 2069	E-mail:sales@benison.ph
CHINA(SHANG-HAI) PLANT	:TEL:86-21-671 00259	FAX:86-21-671 00093	E-mail:benison@benison.asia
THAILAND PLANT	:TEL:66-35-922 086~88	FAX:66-35-922 089	E-mail:benison@benison.co.th
VIET NAM OFFICE	:TEL:84-90-898 8626	FAX:84-86-260 3063	E-mail:benison@benison.com.tw

<http://www.benison.com.tw>

