

AUTO. LABEL/TAMPER EVIDENT SLEEVING MACHINE

BENISON

ISO
9001
22000
CERTIFIED

CE RoHS

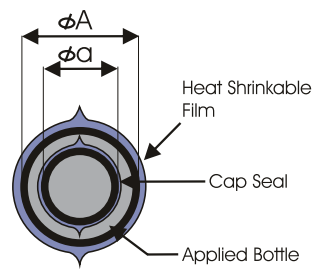
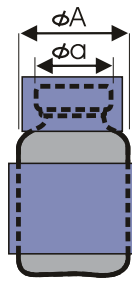


**ES-200(CE)
HEAT TUNNEL**

**LG-150(CE)
AUTO. LABEL/ TAMPER-EVIDENT
SLEEVING MACHINE**



PACKAGING TYPES



LG SERIES SPECIFICATION

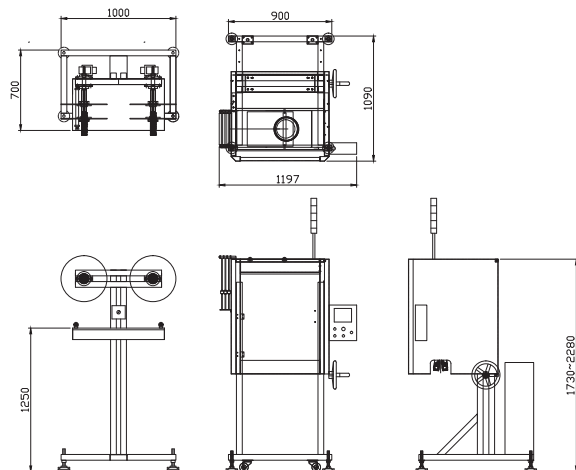
Model No.	Unit	LG-150
Power		3 φ 220V , 50/60Hz
Motor	(W)	60Wx2,90Wx1,750Wx2
Applicable Label Lay Flat Width	(m/m)	40~240
Applicable Label Cut Length	(m/m)	30~200
Applicable Label Thickness	(m/m)	0.035~0.07
Applicable Material		OPS,PET,PVC,PLA
Max. Speed	Max. BPM.	250 BPM(100 m/m CL, Speed will be different basing on CL)
Formula of Label Size	(m/m)	LFW:(BottleDiameter+Tolerance)*1.57
Applicable Products Shape		Round, Square, Oval & Others
Machine Dimension	LxWxH (m/m)	1197X1090X1730~2280

- Our packaging specialists will provide you the most efficient and energy-saving packaging system for your products.
- All specifications, design and characteristics shown on this catalogue are subject to change without prior notice.

※ALL MACHINES ARE LIABILITY INSURED.

※THE M/C CAN BE MADE FOR ANY POWER REQUIREMENT BASING ON ORDER.

Machine Dimension



201903



BENISON & CO., LTD.



TOLL FREE :

0800-211942

TAIWAN HEAD OFFICE

TAOYUAN PLANT 1

TAOYUAN PLANT 2

KAO-HSIUNG PLANT

CENTRAL DISTRICT OFFICE

SOUTH DISTRICT OFFICE

PHILIPPINES PLANT

CHINA(SHANGHAI) PLANT

THAILAND PLANT

VIETNAM OFFICE

TEL : **886-2-2772-5566**

TEL : **886-3-322-5531**

TEL : **886-3-354-7645~8**

TEL : **886-7-787-3033**

TEL : **886-4-2237-9097**

TEL : **886-6-589-7353**

TEL : **63-46-972-2068**

TEL : **86-21-671-00259**

TEL : **66-35-922-086~88**

TEL : **84-9-0898-8626**

FAX : **886-2-2781-3373**

FAX : **886-3-322-8090**

FAX : **886-3-354-7649**

FAX : **886-7-787-3042**

FAX : **886-4-2237-9080**

FAX : **886-6-589-0952**

FAX : **63-46-972-2069**

FAX : **86-21-671-00093**

FAX : **66-35-922-089**

FAX : **84-8-6260-3063**

<http://www.benison.com.tw>

E-mail : benison@benison.com.tw