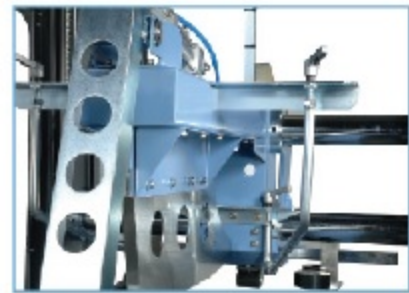


EXC-138SDF



PATENT PENDING



▲KICKER AND PLOW



▲STOPPER



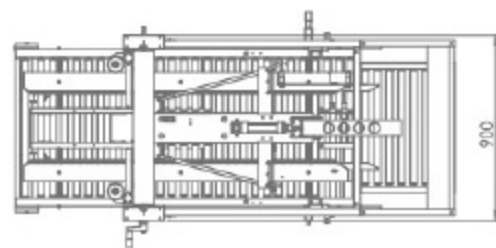
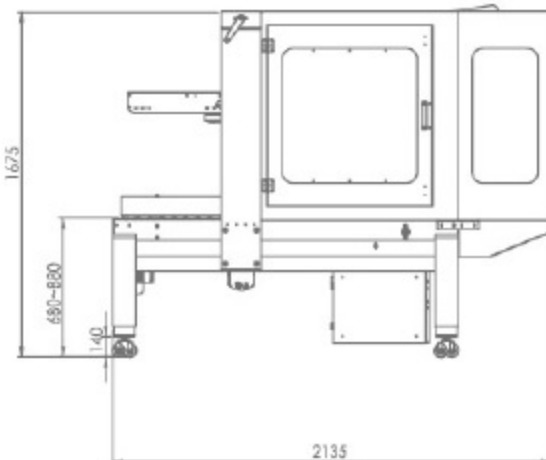
▲TAPE DETECTOR

SPECIFICATION

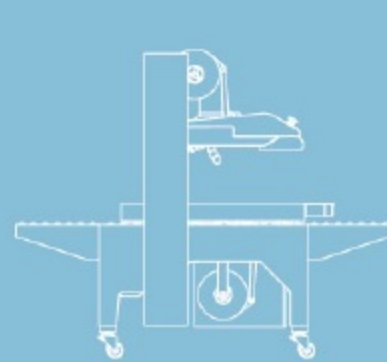
- TAPE WIDTH: 1 1/2", 2"
- BELT SPEED: 23 METERS/MINUTE
- CAPACITY: (L) 120mm ~810mm
(W) 110mm~500mm
(H) 120mm~500mm
- POWER SUPPLY: 100/110/220/230/240V, 50Hz/60Hz, 1-Phase
- POWER CONSUMPTION: 450W

OPTION

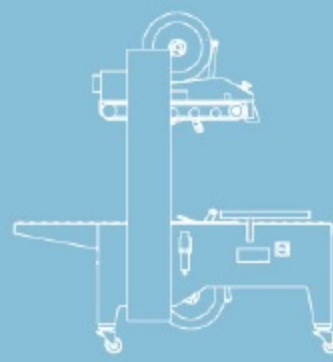
- 3" Tape Head
- INFEEED SAFETY GUARD / OUTFEED SAFETY GUARD
- Stopper (Indexer)
- Infeed Roller Table
- Outfeed Roller Table
- Tape out detector
- CUSHION SIDE BELT



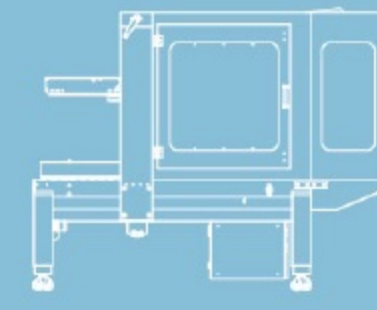
EXC-SERIES



EXC-135SDR



EXC-135TBR



EXC-138SDF

EXCSERIES

EXTEND THE PARTNERSHIP

EXTEND GREAT INTERNATIONAL CORP.

20F., NO. 309, Sec. 2, TAIWAN BLVD.,
TAICHUNG, TAIWAN, R.O.C.

T 886-4-2326-5568
F 886-4-2326-2268

www.extendgroup.com.tw
extend@extendgroup.com.tw

EXC-135SDR



PATENT PENDING



▲TOP SEAT

FEATURES

- MEMORY MODE.
- BY PASS MODE
- 3-STAGES UNIFORM RANDOM MODE.
 - U1 - BOTTOM STAGE
 - U2 - MID STAGE
 - U3 - TOP STAGE

SPECIFICATION

- TAPE WIDTH: 1 1/2", 2"
- BELT SPEED: 23 METERS/MINUTE
- CAPACITY: (L) 120mm - ∞
 - (W) 110mm-600mm
 - (H) 100mm-600mm
 - (ADJUSTABLE TOP HEIGHT TO 700MM)
- POWER SUPPLY: 100/110/220/230/240V, 50/60HZ, 1-PHASE.
- POWER CONSUMPTION: 450W
- AIR CONSUMPTION: 70L/MIN, 0KGS



▲BOTTOM STAGE



▲MID STAGE



▲TOP STAGE

EXC-135TBR



PATENT PENDING



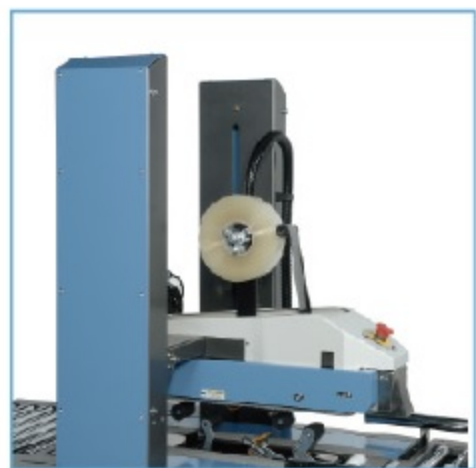
▲TOP SEAT

FEATURES

- MEMORY MODE
- BY PASS MODE
- 3-STAGES UNIFORM RANDOM MODE.
 - U1 - BOTTOM STAGE
 - U2 - MID STAGE
 - U3 - TOP STAGE

SPECIFICATION

- TAPE WIDTH: 1 1/2", 2"
- BELT SPEED: 23 METERS/MINUTE
- CAPACITY: (L) 120mm - ∞
 - (W) 150mm-500mm
 - (H) 110mm-600mm
- POWER SUPPLY: 100/110/220/230/240V, 50/60HZ, 1-PHASE.
- POWER CONSUMPTION: 450W
- AIR CONSUMPTION : 70L/MIN, 0KGS



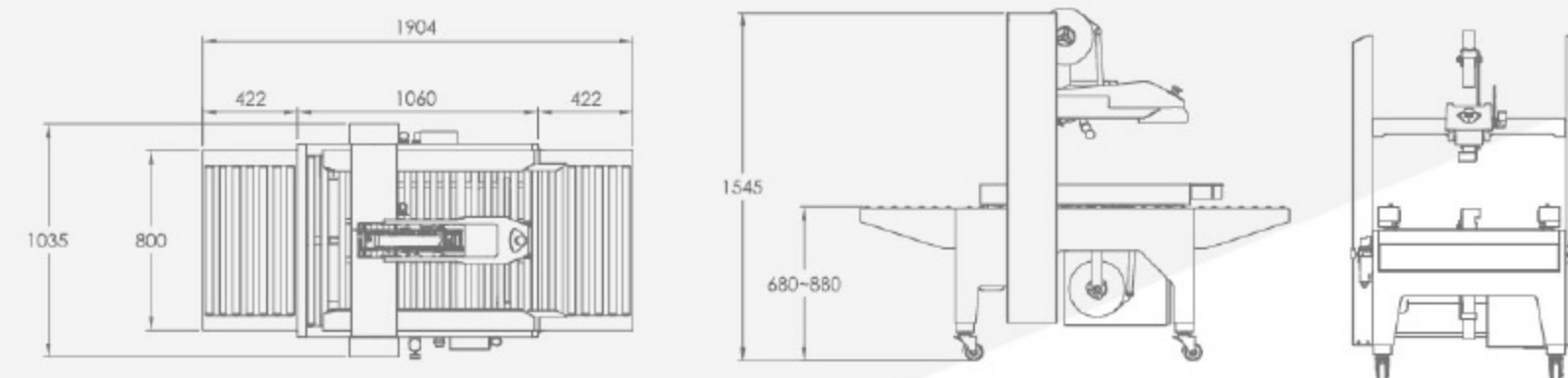
▲BOTTOM STAGE



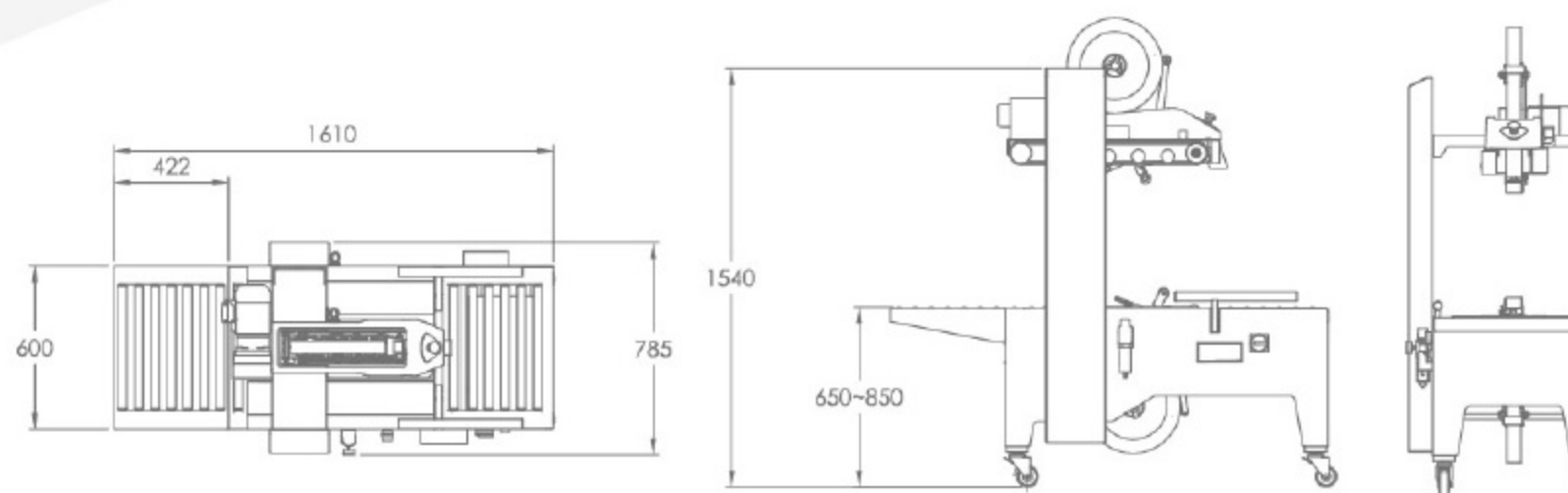
▲MID STAGE



▲TOP STAGE



▲EXC-135SDR



▲EXC-135TBR



▲CONTROL PANEL

OPTION

- 3" TAPE HEAD
- INFEEED SAFETY GUARD
- OUTFEED SAFETY GUARD
- INFEEED ROLLER TABLE
- OUTFEED ROLLER TABLE
- OUTFEED FLEXIBLE CONVEYOR (EXE-103)